

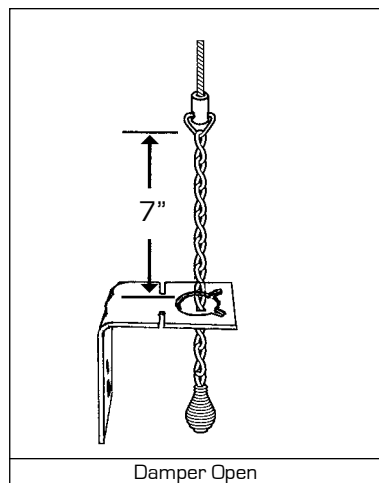
OPERATION INSTRUCTIONS

OPENING AND CLOSING THE DAMPER

A. Open the damper before starting a fire.

- Pull handle down slightly and release, allowing lug to pull up and hang freely about 7" above the bracket. (see illustration). If lug only hangs 1" to 2" above bracket, damper may not be open.

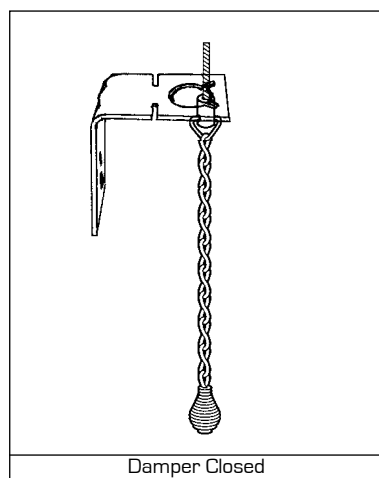
Warning: Do not start a fire if damper is not clearly open. Failure to follow this rule may cause smoke damage.



B. Close the damper after the fire is completely out.

- Pull handle down until lug is below bracket. Move cable into any notch in bracket and release handle.

Energy saving note: Closing the damper when fireplace is not in use will prevent heated or air-conditioned air from escaping out the chimney.



Fire prevention warning: Remember to have your flue checked annually for creosote buildup by your local CSIA certified chimney sweep.

LIMITED LIFETIME WARRANTY

U. S. FIREPLACE PRODUCTS INC.

U. S. FIREPLACE PRODUCTS INC. warrants for the purchaser's lifetime that our Energy Top Fireplace Dampers, when reasonably maintained and used on solid fuel burning chimneys, shall be free from any defects in material or manufacturer's workmanship, as well as from damage caused by chimney fire.

To make a claim under this warranty, return the Damper to the professional who sold it to you. Upon approval of your claim, U. S. FIREPLACE PRODUCTS INC. will replace the Damper as your exclusive remedy. U. S. FIREPLACE PRODUCTS INC. will not be liable for any incidental or consequential damages.

U.S. FIREPLACE PRODUCTS, INC.



Installation And Operation Instructions

This Energy - Top Damper is made in the USA of durable aluminum. It is designed to help save in heating and cooling bills; to help prevent downdrafts and odors; to keep out rain, snow, birds, and pests; and to help reduce outside noise.



PROFESSIONAL INSTALLATION RECOMMENDED

Some chimneys are difficult to access. U.S. FIREPLACE, INC. recommends that you call your local CSIA certified chimney sweep to install your new damper and clean your chimney at the same time. This will not only help with the installation, but will help ensure that your flue is in good working condition.

SAFETY PRECAUTIONS

As with any product you install, especially on your roof, there are safety precautions, including:

- Using a ladder and working on your roof in a safe manner,
- Working on roof only in good weather, not in rain, ice, snow, or lightning,
- Making sure the damper will open properly before starting a fire,
- Using safety glasses when drilling,
- Using a masonry bit when drilling into masonry,
- Using only the adhesive provided.

In addition, be sure to check local codes and the appliance manufacturer before installing on flues venting gas fireplaces or gas appliances for use on gas fireplaces.

TOOLS NEEDED FOR INSTALLATION

Hammer, power drill, 1/4" masonry drill bit, safety glasses, wire cutters, and ladder.

INSTALLATION STEP

1

BEFORE GOING ON THE ROOF

A. Check that all parts are present

- Damper assembly: damper, cable, cable spring
- Adhesive tube (1)
- Allen wrench (1)
- Bracket (1)
- Chain assembly: chain, brass lug, handle (1)
- Nail anchors (2)

If any parts are missing, call U.S. FIREPLACE at 812-941-9790.

INSTALLATION STEP

2

ON THE ROOF

A. Carry damper and adhesive to roof

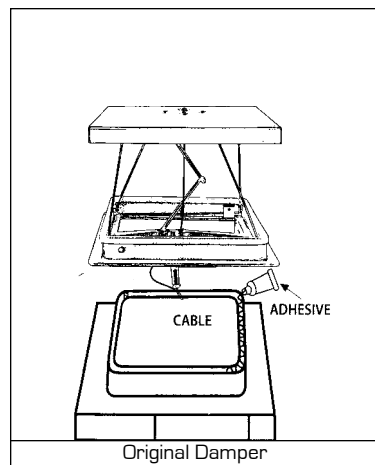
B. Prep flue liner and damper

- Make certain top of flue liner is dry and clean.
- Be certain 4 inch spring will hang freely from lid when damper is closed.
- Lower unattached end of cable to fireplace opening below.

C. Adhere damper to the flue liner

- Use the adhesive cap to open the tube.
- Apply adhesive to top of flue liner all the way around the opening.

Important: Use only the adhesive furnished.



Caution: Direct contact with adhesive will irritate eyes or skin. Read directions on tube carefully. **Keep adhesive out of reach of children.**

- Press the damper onto the flue liner. Allow 24 hours to set before using fireplace.

INSTALLATION STEP

3

AT THE FIREPLACE

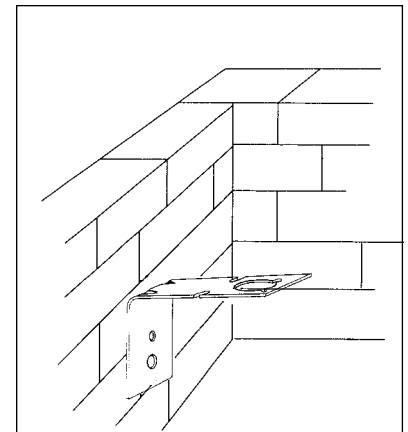
A. Mount bracket in fireplace

- Using 1/4" masonry drill bit, drill one hole about 1" deep into firebrick towards the front of the fireplace and about 20" off the firebox floor (see illustration).

Important: If brick is loose, first repair it with refractory mortar or call local mason.

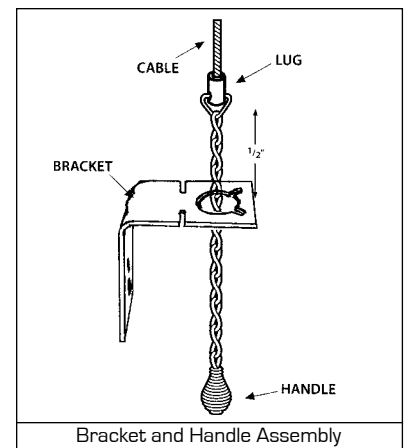
Caution: Wear safety glasses when drilling. Use only masonry drill bit. Failure to do so can cause cracks in the firebox wall.

- Insert nail anchor in top hole of bracket and secure to firebox wall with hammer.
- Drill second hole after bracket is attached to firebox wall. Add second nail anchor and secure.



B. Install cable handle

- Pull cable through bracket until a slight tension can be felt. Damper should now be closed.
- Slide brass lug onto cable 1/2" above bracket (see illustration).
- Close damper by pulling cable down and placing lug under bracket.



C. Check and adjust operation

- Return to the roof and check that the damper is tightly sealed. If it is not, adjust lug upward for better seal.
- Cut off excess cable.